

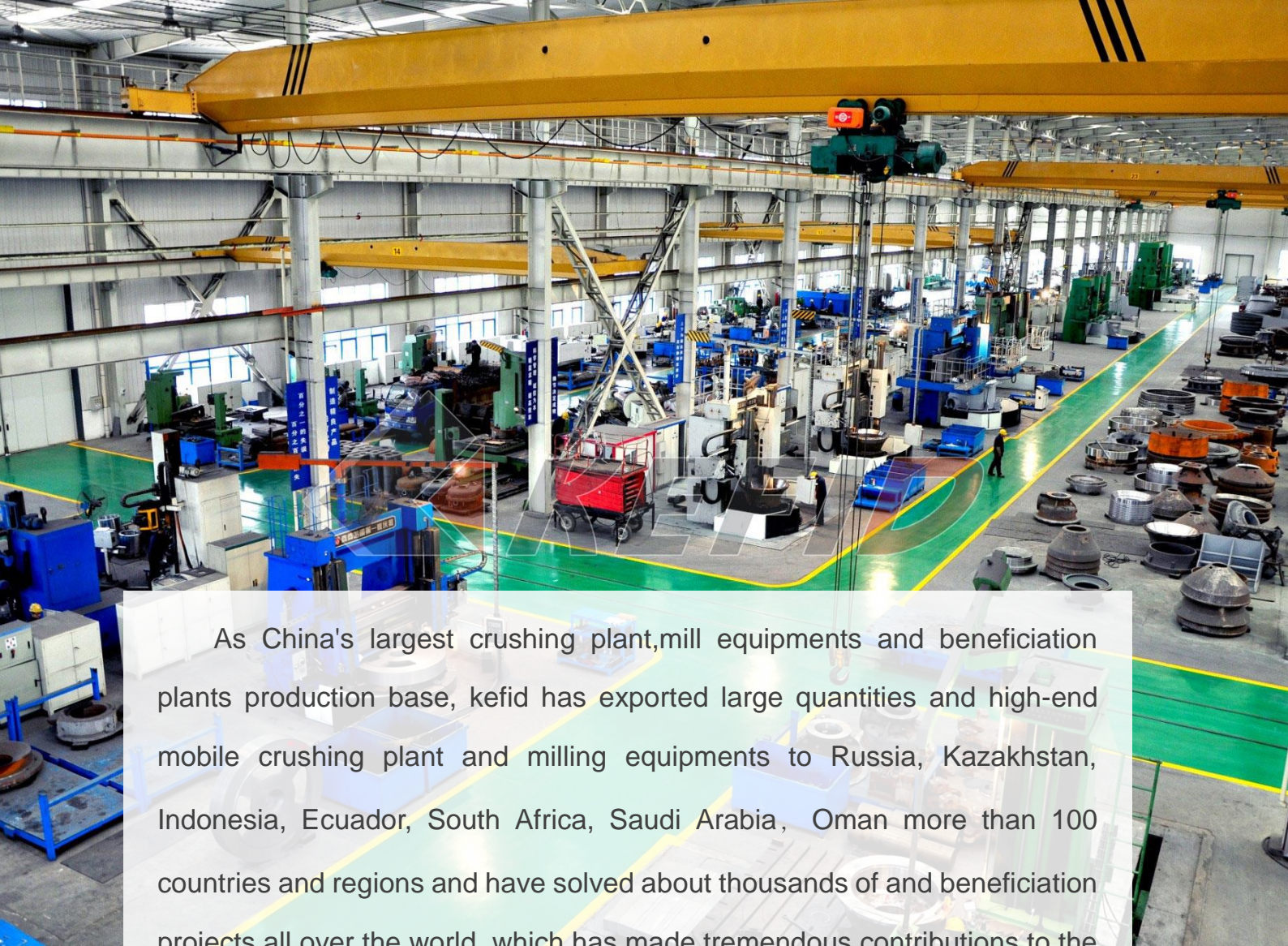


# HST Series Single Cylinder Hydraulic Cone Crusher

Reach new height with KEFID

- High Capacity and efficiency
- Optimized structure, easy maintenance
- Good shape, the adjustment control with convenience
- Lower cost, longer service life





As China's largest crushing plant, mill equipments and beneficiation plants production base, kefid has exported large quantities and high-end mobile crushing plant and milling equipments to Russia, Kazakhstan, Indonesia, Ecuador, South Africa, Saudi Arabia, Oman more than 100 countries and regions and have solved about thousands of and beneficiation projects all over the world, which has made tremendous contributions to the local construction, mining industry and developments.

HST Series Single Cylinder Hydraulic Cone Crusher is a new and efficient crusher researched and designed autonomously on the base of our twenty years' experience in the crushing industry engaged in design, production, sales and service, combining with the development of modern industrial technology, and drawing advanced crusher technology from the United States, Germany and other countries. HST series hydraulic cylinder cone crusher collects mechanical, hydraulic, electrical, automation, intelligent control technology into one set, and represents the world's most advanced crushing technology.



## **HST Cone Crusher**-The adjustment of control is smarter and the performance is more remarkable

- 1.High capacity and efficiency
- 2.Perfect final size
- 3.The adjustment of control with convenience and accuracy
- 4.Reinforced frame structure with higher reliability
- 5.Larger load capacity,longer service life
- 6.Stable performance,easy maintenance
- 7.Optimized lubrication hydraulic station, low cost





## Secondary Mobile•Mobile Cone Crusher

### Main Features

Add the adjustable function of vibrating screen installation angle, and strengthen the whole machine's production capacity.

Flexible and motorized parking function, and start the work mode quickly.

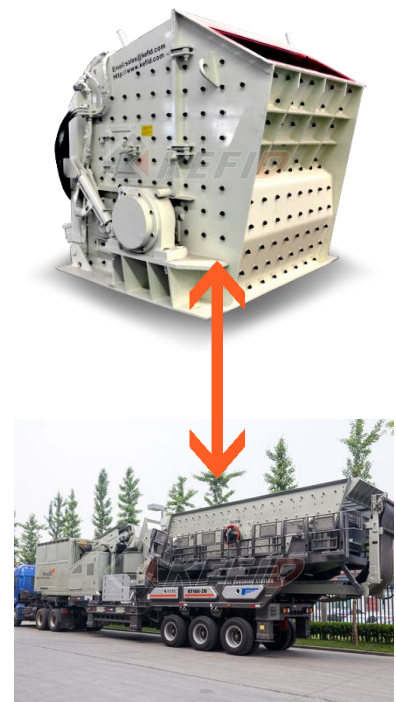
Possess the crushing unit interchangeable system and screening unit interchangeable system, satisfy different kind of production need.

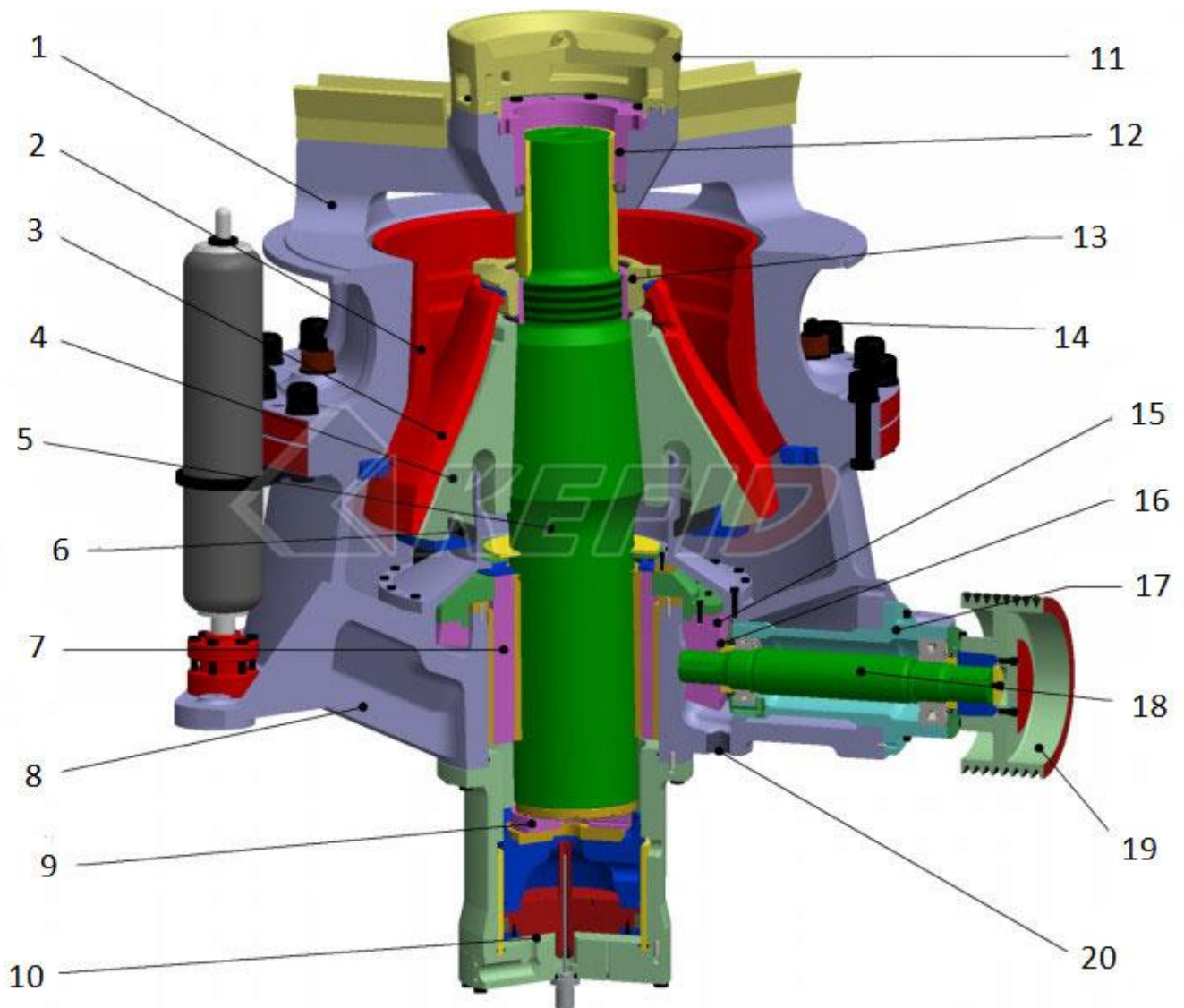
### Anytime, anywhere, transformation and upgrade

Mobile Cone Crusher is another kind of mobile crushing unit, mainly to satisfy different requirement of final products. Cone crusher replaces impact crusher to produce much harder and fine stone or sand products.

### Extended functions

**Impact crusher and cone crusher interchange system:** One automobile body is common used in multiple type of machine, crushing unit interchange system and screening unit interchange system, only need to invest on single machine, in a short time, crushing unit interchange system and screening unit interchange system used in the same automobile body can be come true in the mine site, all the system in the overall unit match perfectly.





1- Upper frame body

2- Bowl liner

3- Mantle

4- Movable cone

5- Principal axis

6- Dust seal

7- Eccentric sleeve

8- Lower frame body

9- Thrust bearing

10- Hydraulic cylinder

11- Top bearing cover

12- Top bearing

13- Mantle locking nut

14- Bowl liner locking bolt

15- Big gear wheel

16- Pinion

17- Horizontal axis frame body

18- Horizontal axis

19- Belt pulley

20- Lubricating oil return pipe

## HST Cone Crusher Main Technical Data

Model	Cavities	Maximum feeding size (mm)	Minimum discharging size (mm)	Capacity (t/h)	Maximum install power (kw)
HST100	S1(Extra Coarse)	240	22	85-125	90
	S2(Medium Coarse)	200	19	70-95	
	H1(Fine)	135	10	46-128	
	H2(Medium Fine)	65	8	36-76	
	H3(Extra Fine)	38	4	27-57	
HST160	S1(Extra Coarse)	360	25	126-215	160
	S2(Medium Coarse)	300	22	108-180	
	S3(Coarse)	235	19	91-165	
	H1(Fine)	185	13	69-215	
	H2(Medium Fine)	90	10	60-160	
	H3(Extra Fine)	50	6	45-105	
HST250	S1(Extra Coarse)	450	35	267-456	250
	S2(Medium Coarse)	400	29	225-333	
	S3(Coarse)	300	25	195-317	
	H1(Fine)	215	16	110-380	
	H2(Medium Fine)	110	13	115-335	
	H3(Extra Fine)	70	8	90-235	
HST315	S1(Extra Coarse)	560	41	350-605	315
	S2(Medium Coarse)	500	38	318-630	
	H1(Fine)	275	16	177-660	
	H2(Medium Fine)	135	16	195-500	
	H3(Extra Fine)	65	13	205-320	

**Note:** The theoretical capacity mentioned above would change with different parameter and raw material.

## The Analysis of Large-scale Sand Production Line



### Kefid **250tph** granite crushing line in Cameroon



**MATERIAL:** granite

**OUTPUT SIZE :** 0-5mm 5-15mm 15-25mm

**FEEDING SIZE :** 700mm

**CAPACITY :** approximate 250tph

**EQUIPMENT :** GZD1300×4900、PE900×1200、HST250/S2、  
PFW1318、2YZS2460、2YZS2160

### Kefid **100tph** granite crushing line in Russia



**MATERIAL:** granite

**OUTPUT SIZE :** 0-5mm 5-20mm

**FEEDING SIZE :** 150mm

**CAPACITY :** 100tph

**EQUIPMENT :** HST160B、3YZS1860



## The Strength of Kefid

Kefid Machinery is a leading and pioneering enterprise with the most advanced international level in R&D, manufacturing and selling of large-scale crushing & screening plants and beneficiation plants. Located in a historic city and transportation hub in central China-Zhengzhou, covering 140 thousand square meters, Kefid has Shangjie and High-tech zone two production bases. Shangjie Zone which covers 80,000 square meters has three heavy-duty and modern integrated assembling workshops--occupying 50,000 square meters; High-tech zone has 22 floors R&D Management laboratory building with 26,000 square meters, comprehensive equipments exhibition hall with 5,100 square meters, heavy-duty and modern integrated assembling workshop with 10,000 square meters, and also has the industry's most advanced machining workshop 20,000 square meters, and hundred sets of advanced large-scale vertical lathe, fixed lathe, planner, boring lathe, grinder and milling machines.





## SERVICE-With Me- Enjoy your pleasant journey

Your profit is our greatest concern and your praise is the biggest compliment that we diligently strive for. Our aim is, with the core of service, tailored for you the most valuable products with comprehensive pre-sale, sale and after sale service.

**Tel:** 0086-371-67999255

**Email:** Sales@kefid.com



## SPARE PARTS

### HST Cone Crusher



Mantle



Taper sleeve



Pressing cap



Bowl liner



Eccentric sleeve

### Crushing Plant



Rotor Assembly



Liner Board



Hammer Bar



Wedge



Impact Plate

### Sand-making Equipment



Circum Guard plate



Impact Plate



Impact Block



Hammer



wearproof Plate

## PRODUCT LIST

### Stationary Crushers

JC Series Jaw Crusher  
Jaw Crusher  
C6X Series Jaw Crusher  
Primary Impact Crusher  
CI5X Series Impact Crusher  
Impact Crusher  
CS Cone Crusher  
Spring Cone Crusher  
HPT Cone Crusher  
Deep Rotor VSI Crusher  
B Series VSI Crusher  
VSI6S vertical shaft impact crusher

### VU System Equipment

Dry Sand Making System  
Dry-Mixed Mortar Sand Making Equipment  
Concrete-Use Sand Making Equipment

### Grinding Mills

Ultra Fine Vertical Grinding Mill  
VM - Vertical Grinding Mill  
European Tech. Grinding Mill  
Micro Powder Mill  
Raymond Mill  
Ball Mill

### Washing & Screening

F5X Heavy Vibrating Feeder  
Screw Sand Washing Machine  
Wheel Sand Washing Machine  
Vibrating Feeder  
Belt Conveyor

### K series mobile plants

Primary mobile crushing plant  
Mobile Secondary Crushing & Screening Plant  
Independent Operating Combined Mobile Station  
Fine crushing and screening mobile station  
Fine crushing & washing mobile station  
Three combinations mobile crushing plant  
Four combinations mobile crushing plant

### Crawler Mobile Crusher

### Ore Beneficiation

Jaw Crusher  
HPT Cone Crusher  
Ball Mill  
Rotary Kiln  
Flotation Machine  
High Gradient Magnetic Separator

**Address:** National HI-TECH Industry Development Zone.Zhengzhou,China.

**Tel :** 0086-371-67999255(24 Hour) / 67988500

**Fax:** 0086-371-67998980

**Zip code:** 450001

**Email:**sales@kefid.com

**Web:** <http://www.kefid.com>

